

## Primary Cable

- Under 6AWG meets UL 1015-1230
- Over 6 AWG meets UL 1426 & BC-5W2
- 221°F (105°C) dry and 167°F(75°C) wet
- 600 volt rating
- Class K 30 gauge tinned copper conductors



BK = BLACK BN = BROWN BU = BLUE GN = GREEN GY = GRAY OR = ORANGE LBU = LIGHT BLUE PK = PINK PU = PURPLE RD = RED WH = WHITE YL = YELLOW

Item Number	OD in	Cable Lbs/MFT	18'	25'	35'	100'	250'	500'	1000'	
<b>XX = Color Coded Description, 00 = Units of Measurement, Call for Current Pricing</b>										
118P-(XX)-(00)	.111	11				BK, OR, RD, WH, YL	BK, BN, BU, GN, OR, RD, WH, YL	BK, RD, WH, YL		
116P-(XX)-(00)	.123	15		BK, GN, GY PU, RD, YL			BK, BN, BU, GN, GY, OR, PK PU, RD, WH, YL	BK, BN, RD WH, YL	BK, RD	
114P-(XX)-(00)	.141	22	BK, BN, BU RD, WH, YL				BK, BN, BU, GN, GY, LBU, OR, PK PU, RD, WH, YL, TN	BK, BN, BU GN, RD, WH, YL, GY	BK, RD	
112P-(XX)-(00)	.156	32					BK, BN, BU, GN, GY, LBU, OR, PK PU, RD, WH, YL	BK, BU, RD, WH	BK, RD	
110P-(XX)-(00)	.185	46		BK, RD			BK, GN, RD, WH, YL	BK, RD	BK, GN, RD, WH, YL	
108P-(XX)-(00)	.261	79					BK, GN, RD, WH, YL	BK, GN, RD	BK, GN, RD	
106P-(XX)-(00)	.342	136					GN, RD, WH, YL, BK	RD, BK, WH GN, YL	BK, GN, RD, YL	
104P-(XX)-(00)	.466	189					BK, GN, RD, WH, YL	RD, BK, GN, YL	BK, RD	
102P-(XX)-(00)		292					BK, GN, RD, WH, YL	RD, BK, GN, WH	BK, RD, YL	BK, RD
101P-(XX)-(00)	.520	351					BK, RD, YL	BK, RD	BK, RD	
1/0BC-(XX)-(00)	.745	450					BK, RD, YL	BK, RD	BK, RD	
2/0BC-(XX)-(00)	.685	551					BK, RD, YL	BK, RD, YL	BK, RD	
3/0BC-(XX)-(00)	.610	672					BK, RD	BK, RD		
4/0BC-(XX)-(00)	.575	.575					BK, RD, YL	BK, RD, YL	BK, RD	

Images are representative of products listed and may not be actual product.

# Wire and Cable

## BOAT CABLE

### Round & Flat

- UL1426 & UL BC 5W2 Listed
- 600 volt rating
- 221°F(105°C) dry and 167°F(75°C) wet
- Class K 30 gauge tinned copper conductors
- Meets or exceeds ABYC, UL, Coast Guard, and ABS requirements



ROUND



FLAT



Item Number	AWG	Conductor	OD in "	Measurements Sold
<b>XX = Unit of Measurement, Call for Current Pricing</b>				
<b>Round</b>				
16-2BCR-(XX)	16	2	.030	PER FT, 100', 250', 500'
16-3BCR-(XX)	16	3	.333	PER FT, 100', 250', 500'
16-4BCR-(XX)	16	4	.366	PER FT, 100', 250', 500'
14-2BCR-(XX)	14	2	.349	PER FT, 100', 250', 500', 1000'
14-3BCR-(XX)	14	3	.393	PER FT, 100', 250', 500', 1000'
14-4BCR-(XX)	14	4	.408	PER FT, 100', 250', 500'
14-5BCR-(XX)	14	5	.458	PER FT, 100', 250'
14-9BCR-(XX)	14	9	.645	PER FT, 100', 250'
12-2BCR-(XX)	12	2	.409	PER FT, 100', 250', 500'
12-3BCR-(XX)	12	3	.434	PER FT, 100', 250', 500'
12-4BCR-(XX)	12	4	.476	PER FT, 100', 250'
10-2BCR-(XX)	10	2	.467	PER FT, 100', 250', 500'
10-3BCR-(XX)	10	3	.497	PER FT, 100', 250', 500'
10-4BCR-(XX)	10	4	.555	PER FT, 100', 250', 500'
8-3BCR-(XX)	8	3	.625	PER FT, 100', 250', 500'
8-4BCR-(XX)	8	4	.768	PER FT, 100', 250'
6-3BCR-(XX)	6	3	.813	PER FT, 100', 250', 500'
6-4BCR-(XX)	6	4	.975	PER FT, 100', 250', 500'

**XX = Unit of Measurement, DG=Red/Yellow, Call for Current Pricing**

<b>Flat</b>				
16-2BC-(XX)	16	2	.192 x .319	PER FT, 100', 250', 500', 1000'
16-2BC-DC-(XX)	16	2	.192 x .319	PER FT, 100', 250', 500'
16-3BC-(XX)	16	3	.187 x .433	PER FT, 100', 250', 500', 1000'
14-2BC-(XX)	14	2	.215 x .350	PER FT, 100', 250', 500', 1000'
14-2BC-DC-(XX)	14	2	.215 x .350	PER FT, 100', 500'
14-3BC-(XX)	14	3	.223 x .500	PER FT, 100', 250', 500', 1000'
12-2BC-(XX)	12	2	.230 x .381	PER FT, 100', 250', 500', 1000'
12-2BC-DC-(XX)	12	2	.230 x .381	PER FT, 100', 250', 500', 1000'
12-3BC-(XX)	12	3	.230 x .528	PER FT, 100', 250', 500'
10-2BC-(XX)	10	2	.250 x .430	PER FT, 100', 250', 500'
10-3BC-(XX)	10	3	.270 x .620	PER FT, 100', 250', 500'
8-2BC-(XX)	8	2	.362 x .607	PER FT, 100', 250', 500'
8-3BC-(XX)	8	3	.363 x .885	PER FT, 100', 250'
6-2BC-(XX)	6	2	.436 x .772	PER FT, 100', 250', 500'
6-3BC-(XX)	6	3	.450 x 1.08	PER FT, 100', 250'

List pricing in catalog is subject to change without notice.

### Power & Control

- Finely stranded annealed copper
- Jacket: LSFLEX® R-30
- 600/1000 volt rating
- -40°F(-40°C) to 194°F(90°C) temperature rating
- USCG, ABS, LR, DNV, GL and Transport Canada Marine safety approved
- Low smoke
- Zero halogen



Item Number	AWG	OD in " (mm)	Conductor
<b>XX= Unit of Measurement, Call for Current Pricing</b>			
<b>Single Conductor</b>			
118P-SIS	18	.100(2.54)	1
116P-SIS	16	.110(2.80)	1
114P-SIS	14	.130(3.30)	1
112P-LSZH	12	.160(4.06)	1
110P-LSZH	10	.250(6.35)	1
108P-LSZH	8	.295(7.49)	1
106P-LSZH	6	.345(8.76)	1
104P-LSZH	4	.400(10.16)	1
102P-LSZH	2	.455(11.55)	1
1/OP-LSZH	1/0	.525(13.33)	1
2/OP-LSZH	2/0	.595(15.11)	1
4/OP-LSZH	4/0	.815(20.15)	1
<b>Multi Conductor</b>			
16-2-LSZH	16	.305(7.74)	2
16-3-LSZH	16	.325(8.25)	3
16-4-LSZH	16	.355(9.01)	4
16-7-LSZH	16	.430(10.92)	7
14-2-LSZH	14	.345(8.76)	2
14-3-LSZH	14	.370(9.39)	3
14-4-LSZH	14	.405(10.28)	4
12-2-LSZH	12	.390(9.90)	2
12-3-LSZH	12	.415(10.54)	3
12-4-LSZH	12	.455(11.55)	4
10-2-LSZH	10	.435(11.04)	2
10-3-LSZH	10	.460(11.68)	3
10-4-LSZH	10	.510(12.95)	4
8-2-LSZH	8	.525(13.33)	2
8-3-LSZH	8	.560(14.22)	3
8-4-LSZH	8	.615(15.62)	4
6-3-LSZH	6	.660(16.76)	3
6-4-LSZH	6	.725(18.41)	4
4-3-LSZH	4	.785(19.93)	3
2-3-LSZH	2	.900(20.57)	3
2-4-LSZH	2	.995(25.27)	4
1/0-3-LSZH	1/0	1.05(26.67)	3
4/0-3-LSZH	4/0	1.66(41.00)	3

Images are representative of products listed and may not be actual product.

# Wire and Cable

## SHIPBOARD CABLE

### Shielded

- USCG, ABS, LR, DNV, BV and GL Listed
- Finely stranded annealed copper conductors
- LSFLEX R-30 insulation
- Splash resistant to oil, Skydrol, gasoline, acid, sea water, ozone, and UV
- 300 volt rating
- -40°F(-40°C) to 230°F(110°C) temperature rating
- Low smoke
- Zero halogen



Item Number	AWG/ Metric	Conductors	OD in " Max
<b>Sold Per Ft. Only, Call for Current Pricing</b>			
18-1P-OAS	18/.75	1 PAIR	.35
18-TRI-OAS	18/.75	1 TRIAD	.37
18-2P-OAS	18/.75	2 PAIR	.39
18-4P-OAS	18/.75	4 PAIR	.45
16-2P-OAS	16/1.5	2 PAIR	.40

#### AMERICAN WIRE GAUGE (AWG) TO METRIC CONVERSION CHART

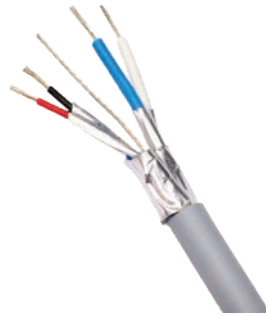
AWG	mm <sup>2</sup>	AWG	mm <sup>2</sup>	AWG	mm <sup>2</sup>
30	0.05	16	1.5	2/0	70
28	0.08	14	2.5	3/0	95
26	0.14	12	4	4/0	120
24	0.25	10	6	300MCM	150
22	0.34	8	10	350MCM	185
21	0.38	6	16	500MCM	240
20	0.50	4	25	600MCM	300
18	0.75	2	35	750MCM	400
18 (UL)	1.0	1	50	1000MCM	500
17	1.0				

List pricing in catalog is subject to change without notice.

## NMEA 2000

### Bulk Cable

- Meets and exceeds NMEA 2000 specs for highest reliability
- Used with field attachable connectors to build exact length cables on site
- Can be used as a drop cable or trunk line depending on network power requirements
- MICRO power pair: 18.1 Ohms/1000ft., 6 amp, 2x22 AWG
- MICRO data pair: Impedance 120 Ohms, Capacitance 11.3pf/ft, 2x22 AWG
- MID cable is optimized for voltage drop sensitive networks (long runs) because power pair wires have half the resistance of MICRO cables
- MID power pair: 4.1 Ohms/1000ft max, 14 amp, 2x16 Awg
- MID data pair: Impedance 120 Ohms, Capacitance 10.75 pf/ft, 2x20 AWG



MICRO BULK CABLE



MID BULK CABLE

Item Number	Type	Color	Length
<b>Call for Current Pricing</b>			
<b>Bulk Cable</b>			
CG1	MICRO	Gray	Per Meter
CG1-100	MICRO	Gray	100M
DB1	MID	Blue	Per Meter
DB1-100	MID	Blue	100M

# Wire and Cable

## NETWORK CABLE

### NMEA 2000 (Continued)

#### Connectors

- Color coded screw terminals for error free installations
- Rugged housing designed to withstand harsh marine environments
- Field attachable
- MICRO Tees have gold contacts for greatest reliability with keyed connectors
- Powertap tee connects to network backbone to provide bus power. Tee provides two inputs permitting double power provisions. IP67
- MICRO terminator resistors are used to terminate both ends of the trunk line and have screw terminal connectors for positive connections, IP68

#### Cordsets

- Double ended for trunk or drop lines
- Keyed for error free connection
- Waterproof for continued operation even while submerged in the bilge
- MID cordsets are optimized for voltage drop sensitive networks (long runs) because power pair wires have half the resistance of MICRO cables
- IP68 rated



90° ELBOW



MICRO TEE



MICRO TERMINATION RESISTORS



MICRO/MID FIELD ATTACHABLE CONNECTORS



MICRO/MID POWERTAP TEE



MULTIPOINT BOX



MICRO DOUBLE-ENDED CORDSETS



MID DOUBLE-ENDED CORDSETS

Item Number	Description	Color	Ratings	Volts
-------------	-------------	-------	---------	-------

#### Call for Current Pricing

#### Connectors

CABLE STARTER KIT	Includes: Powertap, two male terminators, two tees, two 2m and one 10m micro cables	Powertap: Yellow Connectors: Gray	—	—
CF-SPWR05-CF	MICRO/MID Powertap Tee: female (left)/5 meter yellow 4 wire power drop(bottom)/ female(right)	Yellow	4 amp	250VDC
CM-CF-CF	MICRO tee-male(left)/ female(bottom)/ female(right)	Gray	4 amp	60VDC
CM-CF-4	Multipoint box (MICRO-MID male homerun, MICRO-MID female drops)	Gray	4 amp	250VDC
FA-CF-ST	MICRO/MID straight female	Gray	4 amp	30VAC/ 36VDC
FA-CM-ST	MICRO/MID straight male	Gray	4 amp	30VAC/ 36VDC
IT-CM-CF	MICRO inline terminator	Gray	121 Ohms (1/4W)	10-30VDC
ELB-CM-CF	MICRO 90° male to female connector	Gray	4 amp	50V
TR-CF	MICRO female termination resistor	Gray	120 Ohms (1/2W)	10-30VDC
TR-CM	MICRO male termination resistor	Gray	120 Ohms (1/2W)	10-30VDC

Item Number	Type	Ends	Color	Meters Sold
-------------	------	------	-------	-------------

#### Call for Current Pricing - XX= Length (m)

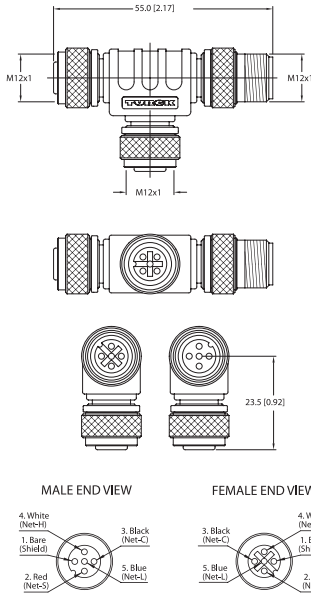
#### Cordsets

CM-CG1-CF-XX	MICRO	Male to Female	Gray	0.5, 1, 3, 5, 8
DM-DB1-DF-XX	MID	Male to Female	Blue	0.5, 1, 2, 3, 4, 5

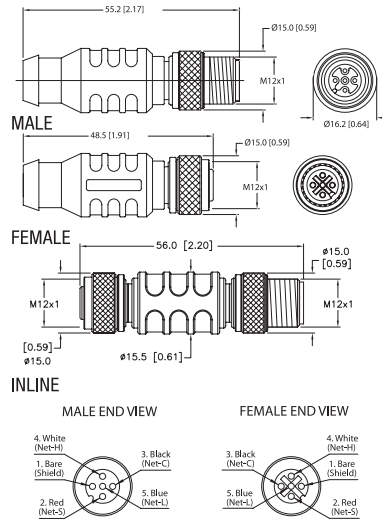
List pricing in catalog is subject to change without notice.

# NMEA 2000 (Continued)

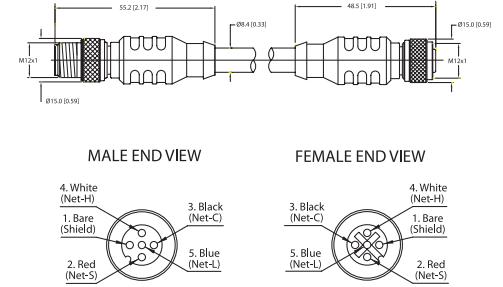
### MICRO TEE



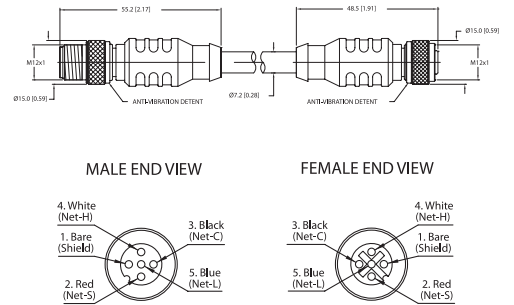
### MICRO TERMINATION RESISTORS



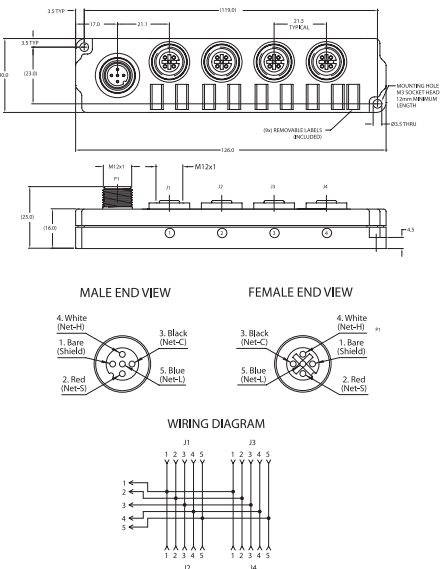
### MID DOUBLE-ENDED CORDSETS



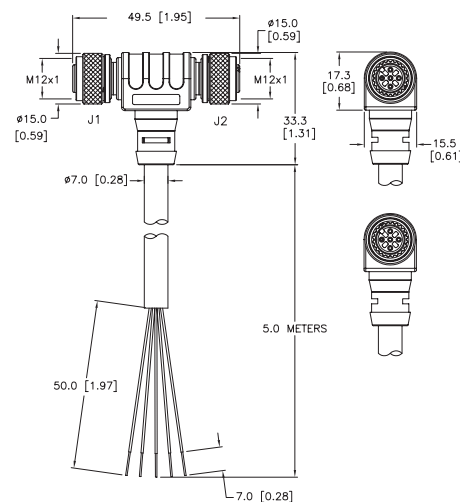
### MICRO DOUBLE-ENDED CORDSETS



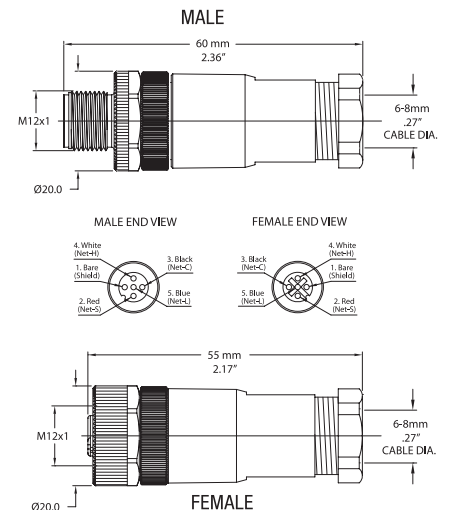
### MULTI-PORT BOX



### MICRO/MID POWERTAP TEE



### MICRO/MID FIELD-ATTACHABLE CONNECTORS (STRAIGHT)

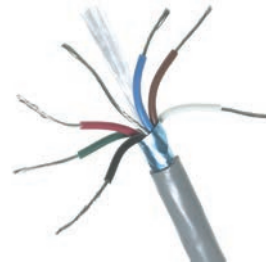


# Wire and Cable

## MULTI-CONDUCTOR

### Shielded

- UL Listed AWM style #2464 or type CM
- 100% aluminum/ polyester foil with a stranded tinned copper drain line
- Tinned copper conductors
- 300 volt rating
- Temperature rating 68°F(20°C) to 176°F(80°C)
- Acid, alkaline, abrasion, ozone, and flame resistant



Item Number	AWG	Conductor	OD in "	Measurements Sold
<b>XX = Unit of Measurement, Call for Current Pricing</b>				
22-4MCS-(XX)	22	4	.190	100'
22-6MCS-(XX)	22	6	.219	100'
18-2MCS-(XX)	18	2	.227	100', 250', 500'
18-3MCS-(XX)	18	3	.238	100', 500'
18-4MCS-(XX)	18	4	.245	100', 500'
18-6MCS-(XX)	18	6	.310	100'
18-8MCS-(XX)	18	8	.330	100'
16-2MCS-(XX)	16	2	.243	100', 500'
16-4MCS-(XX)	16	4	.290	100'
14-2MCS-(XX)	14	2	.290	100'

### Non-Shielded

- UL Listed AWM style #246K or type CM
- Tinned copper conductors
- 300 volt rating
- Temperature rating 68°F(20°C) to 176°F(80°C)
- Acid, alkaline, abrasion, ozone, and flame resistant



Item Number	AWG	Conductor	OD in "	Measurements Sold
<b>XX = Unit Of Measurement, Call for Current Pricing</b>				
22-4MC-(XX)	22	4	.190	100', 250', 500'
18-2MCS-(XX)	18	2	.227	100', 250', 500'
18-3MC-(XX)	18	3	.238	100', 250', 500'
18-4MC-(XX)	18	4	.257	100', 250', 500'
18-7MC-(XX)	18	7	.257	100', 250'
18-9MC-(XX)	18	9	.358	100', 250'
18-12MC-(XX)	18	12	.401	100', 250'

List pricing in catalog is subject to change without notice.



## Coaxial Cable

- Created for marine environment
- White PVC jacket
- Tinned copper braiding



Item Number	Cond./ AWG	OD in "	Nominal Independence	OHM	Measurements Sold
<b>XX = Unit of Measurement, Call for Current Pricing</b>					
RG6U-XX	18 Copper Clad Steel	0.27	75	75	100', 500'
RG8X-XX	16 (19 x 28) Tinned Copper	0.242	50	50	100', 500'

## Audio Cable

- Clear PVC insulation
- Finely stranded tinned and bare copper conductors
- -4°F(-20°C) to 176°F(80°C) temperature rating
- 90 volt rating
- Polarity is distinguished by one tinned copper conductor and one bare



Item Number	AWG	OD in "	Conductor	Measurements Sold
<b>XX = Unit of Measurement, Call for Current Pricing</b>				
16-2SPK	26	.113 x .210	26/.0100	100', 250', 500'

## SJTOW

- UL Listed and CSA approved 600V STOW cable to NEC article 400
- Meets federal specification #JC-580B
- Yellow PVC jacket rated -4°F(-20°C) to 140°F(60°C)
- Excellent abrasion, ozone, chemical, and oil resistant



Item Number	AWG	Conductor	OD in "	Measurements Sold
<b>XX = Unit of Measurement, Call for Current Pricing</b>				
14-3SJT- (XX)	14	3	.365	PER FT, 250'
12-3SJT- (XX)	12	3	.435	PER FT, 250'

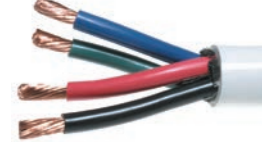
Images are representative of products listed and may not be actual product.

# Wire and Cable

## PORTABLE CABLE

# STOW

- UL Listed, CSA & NEC article 400
- Color-coded PVC
- Bare Copper Conductors
- 600 volt max rating
- Jacket temperature 105° except for part number  
10-3STO is 60° and 30256 is 90°



Item Number	AWG	Stranding	Color Code	Conductor	OD in "	Measurements Sold
<b>XX = Unit of Measurement, Call for Current Pricing, BK- Black, RD-Red, WH-White, GN-Green, BU-Blue. * Tinned Strand</b>						
10-3STO- (XX)	10	104	BK,WH, GN	3	.66	PER FT, 250'
6-4STO- (XX) *	6	7 x 37/30	BK, RD, WH, GN	4	1.074	PER FT, 500'
6-4STO-WHT (XX) *	6	7 x 37/30	BK, RD, WH, GN	4	1.074	PER FT, 500'
6-3STO- (XX) *	6	7 x 37/30	BK, WH, GN	3	.985	PER FT, 500'
21700- (XX)	2	19 x 35/30	BK, RD, GN	3	1.309	PER FT, 500'
21701- (XX)	2	19 x 35/30	BK, RD, WH, GN	4	1.456	PER FT, 500'
21702- (XX)	2	19 x 35/30	BK, RD, BU, GN	4	1.456	PER FT, 500'
21712- (XX)	2	19 x 35/30	BK, RD, BU, GN	4	1.456	PER FT, 500'
20043- (XX)	2	19 x 35/30	BK, RD, BU, GN, WH	5	1.578	PER FT, 500'
30256- (XX)	1/0	19 x 35/30	BK, RD, BU, GN	4	1.780	PER FT, 500'

## Battery / Starter Cable

### BATTERY CABLE LOAD CHARTS

#### Length to Load

These charts will show length in feet. SAE Wire Gauge Size and Amperage for a DC Voltage System allowing a 20% voltage drop.

		12 VOLTS DC					AMPS				
			100	300	500	700	900				
GAUGE	6	30	10	6							
	4	48	16	10	7						
	2	76	25	15	11						
	1	97	32	19	14	11					
	1/0	122	41	24	17	14					
	2/0	154	51	31	22	17					
	3/0	194	65	39	28	22					
	4/0	245	82	49	35	27					

		24 VOLTS DC					AMPS				
			100	300	500	700	900				
GAUGE	6	60	20	12							
	4	96	32	19	14						
	2	152	51	30	22	17					
	1	194	65	39	28	22					
	1/0	244	81	49	35	27					
	2/0	308	103	62	44	34					
	3/0	388	129	78	55	43					
	4/0	490	163	98	70	54					

		36 VOLTS DC					AMPS				
			100	300	500	700	900				
GAUGE	6	90	30	18							
	4	144	48	29	21						
	2	228	76	46	33	25					
	1	291	97	58	42	32					
	1/0	366	122	73	52	41					
	2/0	462	154	92	66	51					
	3/0	582	194	116	83	65					
	4/0	735	245	147	105	82					

		48 VOLTS DC					AMPS				
			100	300	500	700	900				
GAUGE	6	120	40	24							
	4	192	64	38	27						
	2	304	101	61	43						
	1	388	129	78	55	43					
	1/0	488	163	98	70	54					
	2/0	616	205	123	88	68					
	3/0	776	259	155	111	86					
	4/0	980	327	196	140	109					

		60 VOLTS DC					AMPS				
			100	300	500	700	900				
GAUGE	6	150	50	30							
	4	240	80	48	34						
	2	380	127	76	54						
	1	485	162	97	69	54					
	1/0	610	203	122	87	68					
	2/0	770	257	154	110	86					
	3/0	970	323	194	139	108					
	4/0	1225	408	245	175	136					

List pricing in catalog is subject to change without notice.