

Stancor

- Contacts 5/16"-24 UNF 2A thread
- Coil #10-32 UNF 2A thread
- High vibration
- Temperature -40°F to 150°F



586-905

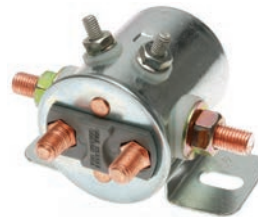
Item Number	Pole Form	Coil Volt DC	Contacts	NO: Cont./ Inrush	Dimensions in " (mm)	Price
Single Circuit						
124-902	SPNO	12	Silver Alloy	100/400	3.56(90.42) x 3.13(79.50) x 2.19(55.63)	\$64.61
586-902	SPNO	12	Silver Alloy	200/600	3.69(93.72) x 3.30(83.82) x 2.90(73.66)	\$122.88
124-903	SPNO	24	Silver Alloy	100/400	3.56(90.42) x 3.13(79.50) x 2.19(55.63)	\$63.98
586-905	SPNO	24	Silver Alloy	200/600	3.69(93.72) x 3.30(83.82) 2.90(73.66)	\$102.88

Cole Hersee

- Copper terminals
- Insulated
- Straight bracket mounts



SINGLE CIRCUIT



DUAL CIRCUIT



PLASTICIZED

Item Number	Pole Form	Coil Volt DC	Contacts	NO: Cont./ Inrush	Dimensions in " (mm)	Price
Single Circuit						
24059-08	SPST	12	Copper	65/120	2.86(72.64) x 3.17(80.52) x 2.63(66.80)	\$49.24
24117-01	SPST	12	Copper	65/120	2.86(72.64) x 3.17(80.52) x 2.63(66.80)	\$60.78
24063	SPST	24	Copper	65/120	2.86(72.64) x 3.17(80.52) x 2.63(66.80)	\$45.83
Plasticized						
24063-08	SPST	24	Copper	65/120	2.86(72.64) x 3.17(80.52) x 2.63(66.80)	\$61.49
Dual Circuit						
Continuous Duty, NO/NC, CR Rating 85A/35A						
24401	DPST	12	Copper	N/C 35A, N/O 85A	2.2(55.88) x 2.75(69.85)	\$62.37
24402	DPST	24	Copper	N/C 35A, N/O 85A	2.2(55.88) x 2.75(69.85)	\$68.12

Solenoids

INTERMITTENT DUTY

Universal

- Single pole
- Normally open
- Insulated coil circuits



1000 AMPS



SERIES PARALLELING

Item Number	Volts	Price
1000 Amps		
SW865	12	\$177.67
SW866	24	\$177.00
SW867	32	\$199.89
Series Paralleling		
SW844	12/24	\$686.40

Unit typically utilized in 12/24V series paralleling systems for 24V cranking and 12V accessories and charging
Call for additional information

Blue Sea Systems

- Hermetically sealed contacts
- Activated by an ON-OFF switch mounted remotely
- Compact solenoid offers remote switching for application with limited space and no requirements for manual control
- Current rating 100A cranking, 275A intermittent, 250A continuous with 1/0 cable
- IP67 waterproof rating
- Ignition protected SAE J1171
- Serrated flange nut



9012

Item Number	Contacts	Type	Stud Size	Price
L Series Solenoid Switch				
9012	SPST-NO	12/24 Volt	5/16" (M8)	\$234.99

WIRE SIZE AND CURRENT RATINGS

WIRE SIZE	I10 CRANKING 10 sec.	I60 CRANKING 1 min.	I300 INTERMITTENT 5 min.	Ic CONTINUOUS (UL 1107)
1/0	1,000A	500A	275A	250A
2/0	1,200A	550A	400A	300A
2x (2/0)	1,500A	850A	600A	450A

List pricing in catalog is subject to change without notice.

Blue Sea Systems

ML-Series Solenoid Switches

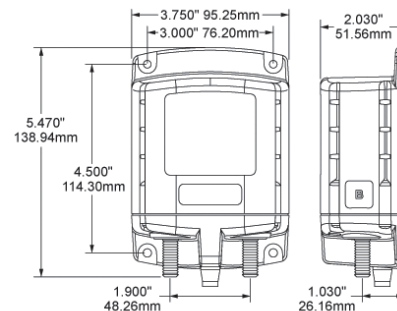
- LED output to remotely indicate switch state- requires optional LED
- Silver alloy contacts provide high reliability
- 3/8" 16 tin copper studs
- CE Marked, meets ISO 8846 and SAE J1171 external ignition protection requirements IP66 protected against powerful water jets
- Magnetic Latching Bi-Stable
- SPDT (on)-off-(on)
- Remote control switch included.



LINKBUS



ML-SERIES



Item Number	Coil Volts	Cable End	Stud	Price
ML-Series Solenoid Switches				
7701	12	Stripped wire	3/8" x 16 (M1Ø)	\$234.99
7703	24	Stripped wire	3/8" x 16 (M1Ø)	\$234.99

Item Number	Description	Price
ML Series Accessory		
9160	LinkBus Ideal for paralleling ML remote battery switches	\$17.69

WIRE SIZE AND CURRENT RATINGS

WIRE SIZE	I10 CRANKING 10 sec.	I160 CRANKING 1 min.	I300 INTERMITTENT 5 min.	Ic CONTINUOUS (UL 1107)
2/0	2,000A	750A	400A	225A
4/0	2,200A	750A	400A	300A
2x (4/0)	2,500A	1,100A	700A	500A

Solenoids

REVERSING

Quick

- Able to operate motors for windlasses and capstans.
- Easy to install.
- The casing of this unit is IP66 waterproof.
- Sold complete with the solenoid unit and product sheet.



T6315-XX



T6415-XX

Item Number	Max power of the windlass/capstan motor	Max contact voltage	Interruption capacity (1)	Working intermittent current (50% of work cycle) (Ie)	Coil rated voltage	Recommended fuse	Weight	Price
Contactor Units								
T6315-12	2500 W	48 VDC	800 A @ 48 VDC	150 A	12 VDC	2,5 A Fast	1,87 g	\$170.00
T6315-24	3500 W	48 VDC	800 A @ 48 VDC	150 A	24 VDC	1,6 A Fast		\$170.00
Reversing Contactor Units								
T6415-12	2500 W	48 VDC	800 A @ 48 VDC	150 A	12 VDC	2,5 A Fast	2,16 g	\$200.00
T6415-24	3500 W	48 VDC	800 A @ 48 VDC	150 A	24 VDC	1,6 A Fast		\$200.00

MOTOR WATTAGE	12V	24V
150	T6411-12	
250	T6411-12	
300	T6415-12	T6415-24
500	T6415-12	T6415-24
700	T6315-12	T6315-24
1000	T6315-12	T6315-24
1400	T6315-12	T6315-24
1500	T6315-12	T6315-24
1700	T6315-12	T6315-24
2000		T6315-24
2300		T6315-24
3000		T6315-24

S&N

- ¼ - 28 threaded shaft
- 40W max intermittent
- 18lb of pull at ½"
- 120lb of pull at hold



1118128

- Protects electrical connections from humidity and moisture



4HN57

Item Number	Description	Price
1118128	12V 2 terminal shut off solenoid	\$317.85

Accessories

Item Number	Description	Price
4HN57	Solenoid coil connector with none lead type	\$10.88