

Fuse Blocks and Holders

PANEL MOUNT

Blue Sea Systems

- Rated IP66 on front- protected against powerful water jets
- For use with AGC or MDL fuses
- 32 volts DC max operating voltage
- 1/4" x 1-1/4" fuses



5021

Item Number	Connections	Mounting Hole Size in " (mm)	Fuse Amps	Price
5021	Quick connect	.50(12.70)	20	\$3.82

Cooper Bussman

- Used with 1/4" x 1-1/4" fuses
- When fuse is inserted: 2.64"(67.05mm) max depth
- Bayonet type knob for panels up to 5/16" (7.9mm) thick
- 250 volts
- CE, UL & CSA certified



HKP-HH

Item Number	Connections	Mounting Hole Size in " (mm)	Fuse Amps	Price
HKP-HH	1/4" Quick Connect	.473(12) x .505(12.8)	15	\$5.32

FIG

- Molded from high impact plastic
- Screw-thread terminals for positive connection
- UL, CSA, and CE recognized
- Dead front, watertight at face of panel
- Meets military requirements of MIL-F-19207



5200-1



5300-3



5800-11

Item Number	Mounting Hole Size in " (mm)	Connections	Fuse Amps	Price
FIG				
5200-1	.25(6.35) x 1.25(31.75)	12-22	0-30	\$218.66
5300-3	.25(6.35) x 1.25(31.75)	34-45	0-30	\$232.88
5800-11	.56(14.22) x 2(50.80)	90-250	0-30	\$312.60
5900-11	.81(20.57) x 3(76.20)	90-250	31-60	\$391.68

Item Number	Description	Price
Accessories		
3-1300-1	Plastic cap only for use with 5900-11	\$26.80
5902-11	60 amp screw fuse cap for use with 5900-11	\$234.92

List pricing in catalog is subject to change without notice.

Cole Hersee

- Glass Fuses
- Large brass contacts for maximum efficiency
- 8" (203.2mm) lead wire to install, cut wire loop



Item Number	Terminal	Fuse Holder Description	Fuse Amps	Price
3031-0	#14 leads	Positive twist-lock seal	3-30	\$2.67

Seachoice

- Watertight in line
- Made of molded heat resistant non-breakable plastic
- Has spare fuse compartment
- Supplied with two nickel plated brass fuses



Item Number	Terminal	Type	Fuse Amps	Price
50-12701	#16	Push together	10	\$6.47
50-12721	#10	Push together	30	\$10.24

Blue Sea Systems

Glass Fuse

- For use with AGC or MDL glass fuses



5060

Blade Fuse

- For use with ATO, ATC, or Maxi fuses



5063



5064



5065

Item Number	Terminal	Fuse Holder Description	Fuse Amps	Price
Glass Fuse				
5060	#12-16	Crimpable	30	\$2.79
5063	#12	Heavy duty with pigtails	30	\$3.88
Blade Fuse				
5064	#12	Includes ATC pigtails	30	\$3.98
5065	#12	Includes ATC waterproof cap and pigtails	30	\$9.88
5068	#6	In-Line Maxi fuse holder 32VDC 60Amp Max	60	\$27.19

Images are representative of products listed and may not be actual product.

Fuse Blocks and Holders

IN LINE

Cooper Bussman

Traditional (HFA) Series

- Used for 1/4" x 1-1/4" fuses
- 250 volts
- 20 amps
- CE & UL recognized
- Dimensions in " (mm): 2.34(59.44)W x .800(20.32)H
- HFB same with 50 volts or less rating



Traditional (HEJ) Series

- Used for 13/32" x 2-1/4" fuses
- For SC style fuses
- 480 volts
- CE, UL, & CSA recognized



Traditional (HEB) Series

- Used for 13/32" x 1-1/2" fuses
- For BAF, DCM, FNM, FNQ, and KTK fuses
- CE, CSA, & UL recognized
- 600 volts (or less)
- Amps limited by conductor size



Item Number	Crimp #	Description	Amps	Price
Traditional				
HFA	#12-#16	Water resistant holder	20	\$41.34
HFB	#12-#16	Waterproof	20	\$7.45
HEJAA	#12-#8	Single pole non breakaway	35-60	\$50.58
HEJBB	#10-#6	Single pole non breakaway	35-60	\$44.95
HEBAA	#12-#8	Single pole non breakaway	1-30	\$25.37
HEBBB	#6	Single pole non breakaway	1-30	\$26.31

(HFB) Series

- In-line water resistant series



Non Rejecting (HLR) Series

- For use with GLR fuses
- Two leads: line and loadside
- 300 volts
- UL, CE, and CSA recognized



Automotive (HHX) Series

- 32 volts DC
- Amps is 80% continuous of fuse rating



Item Number	Crimp #	Description	Amps	Price
Traditional				
HFA	#12-#16	Water resistant holder	20	\$41.34
HFB	#12-#16	Waterproof	20	\$7.54
HEJAA	#12-#8	Single pole non breakaway	35-60	\$50.58
HEJBB	#10-#6	Single pole non breakaway	35-60	\$44.95
HEBAA	#12-#8	Single pole non breakaway	1-30	\$25.37
HEBBB	#6	Single pole non breakaway	1-30	\$26.31
Non Rejecting				
HLR-2A	#18-18	Black with two leads	15	\$4.59
Automotive Blade Type				
HHX	#6 red leadwire	Black with cover	20-60	\$9.15
ATC-FHID	#16 black leadwire	Indicating black with cover	1-20	\$4.61

List pricing in catalog is subject to change without notice.

Phoenix

Screw Connection

- Simple power distribution with integrated bridging
- Blown fuse indicators
- Test connection on both ends
- CSA, UL, and IECCE recognized

Spring Cage Connection

- Simple potential distribution with continuous function shafts
- Test connection on both ends
- LED status indicator
- CSA, UL, and IECCE recognized



SPRING-GLASS



SPRING-ATC



SCREW-GLASS



SCREW-BLADE



PLUG IN BRIDGE

Item Number	Fuse Type	Fuse Size in mm	Amps	Volts	Price
Screw Connection					
UK10-DREHSI	Glass G	5 x 20	10	500	\$23.80
UK6.3-HESI	Glass G	6.3 x 32	10	500	\$15.90
UK10,3-HESI N	Glass Midget	10.3 x 38	32	690	\$20.66
UK6-FSI/C	ATC Blade	Flat C	30	250	\$13.36
Spring Cage Connection					
ST4-HESILED24	Glass G	5 x 20	6.3	24	\$16.28
ST4-HESILED60	Glass G	5 x 20	6.3	60	\$16.28
ST4-HESILA250	Glass G	5 x 20	6.3	250	\$16.28
ST4-FSI/C	ATC Blade	Flat C	30	400	\$8.18

Item Number	Fuse Type	Pole	Amps	Price
Plug in Bridge				
The last digit in the bridge designation indicates the dimension of the terminal width.				
FBS2-8	ST4-FSI/C	2	41	\$0.88
FBS3-8	ST4-FSI/C	3	41	\$1.86
FBS4-8	ST4-FSI/C	4	41	\$3.02
FBS10-8	ST4-FSI/C	10	41	\$7.50
FBS2-6	ST4-HESILED24/60/ 250	2	32	\$0.70
FBS3-6	ST4-HESILED24/ 60/ 250	3	32	\$1.40
FBS4-6	ST4-HESILED24/ 60/ 251	4	32	\$2.20
FBS10-6	ST4-HESILED24/ 60/ 253	10	32	\$5.72
FBI10-8	UK6-FSI/C	10	57	\$14.88
FBI10-12	UK10,3-HESI N	10	101	\$23.72

Fuse Blocks and Holders

FUSE BLOCKS

Cooper Bussman

Series 8000

- Used for 1/4" x 1-1/4" fuses
- Flame retardant thermoplastic with spring bronze clips
- 300 volts
- 25 amps
- Anti-rotation pin
- UL and CSA Rated

BM Series

- Supplementary fuse block for use with any 13/32" x 1-1/2" fuses
- Cooper Bussman fuses: KTK, FNQ, FNM, BAF, PV, and AGU
- 1 pole
- 600 volts AC/DC
- 1/10 30 amps
- CE, UL, and CSA recognized

Limiter Blocks

- Used for ANL and ANN fuses
- Dimensions: 3.38"Lx.95"Wx1.62"H
- 2.43" Studs to center
- 125 volts AC, 80 volts DC
- 10-800 amps



SERIES 8000
QUICK CONNECT



SERIES 8000
SCREW CONNECT



BM SERIES



LIMITER BLOCK

Item Number	Terminal	Poles	Price
Series 8000			
S-8202-1	1/4" Quick Connect	1	\$6.48
S-8301-1	Screw	1	\$6.20
S-8301-4	Screw	4	\$12.97
S-8301-8	Screw	8	\$40.62
Limiter Blocks			
4164	Stud Terminal	1	\$24.43
BM Series			
BMM603-1SQ	Quick Connect/ Screw	1	\$6.48

List pricing in catalog is subject to change without notice.

Blue Sea Systems

ANL

- Accepts 5/16" (M8) ring terminals
- Insulating cover satisfies ABYC/USCG requirements
- UL 94-V0 base resists high heat
- 5005: 300 amps, 2/0 AWG wire size
- 5503: 750 amps, 4/0 AWG wire size
- Accepts ANL fuses
- 32 volt DC max



ANL STYLE

Safety (Ignition Protected)

- Sealed cover satisfies ABYC/USCG requirements
- CE marked, meets SAE J1171 and IP66 requirements
- Accepts Blue Sea Systems square format label
- 32 volts DC max
- 7720: 30-200 amps uses AMI or MIDI fuses
- 7721: 100-300 amps uses MEGA or AMG fuses



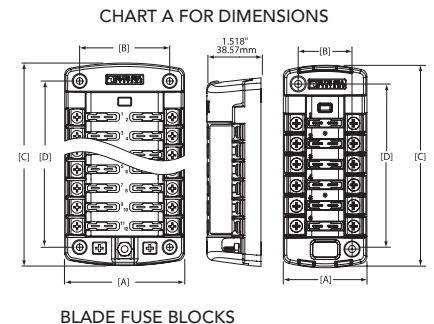
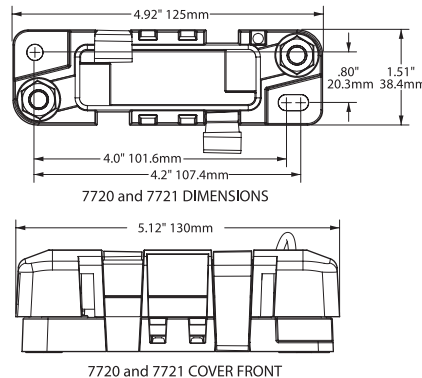
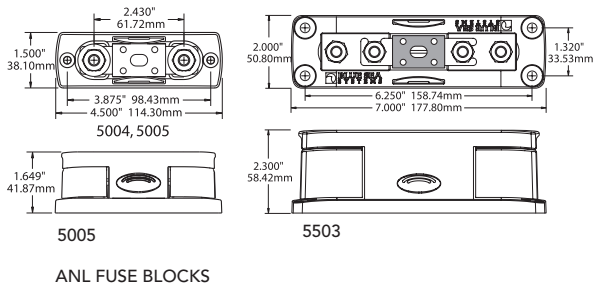
SAFETY STYLE

ATC (Blade) Common Source

- Sealed cover satisfies ABYC/USCG requirements
- Clear insulating cover with label recesses
- Covers include 20 write on circuit labels
- Accepts ring terminals
- Positive distribution bus with #10-32 stud
- 32 volts DC max
- 30 amps per circuit, 100 amps per block
- Accepts #8 (M4) mounting
- Accepts ATO or ATC fuses



BLADE STYLE



Item Number	Description	Price
ANL		
5005	300A max, w/ cover	\$28.79
5503	750A max, w/ cover	\$57.99
Safety (Ignition Protect)		
7721	100-300A, w/ cover	\$35.19
7720	30-200A, w/ cover	\$35.19
Blade		
5025	6 CKT, w/ ground	\$50.99
5026	12 CKT, w/ ground	\$63.99

CHART A: DIMENSION CHART FOR BLADE FUSE BLOCKS

PN	Circuits	Cover	Negative Bus	[A] Width in (mm)	in (mm) [D] Mounting	[B] Mounting Centers in (mm)	Centers in (mm) Weight	[C] Height lb (kg)
5025	6	Yes	#10-32 stud	3.32 (84.20)	2.50 (63.50)	4.89 (124.31)	3.88 (95.58)	0.55 (0.25)
5026	12	Yes	#10-32 stud	3.32 (84.20)	2.50 (63.50)	6.47 (164.39)	5.46 (138.66)	0.75 (0.34)

Images are representative of products listed and may not be actual product.

Fuse Blocks and Holders

FUSE BLOCKS

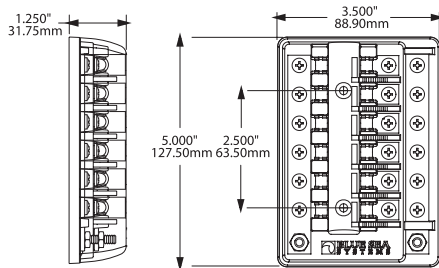
Blue Sea Systems (Continued)

Glass

- Can be used for 24 hour circuits
- Clear insulating cover with label recesses
- Tin plated phosphor bronze fuse clips are encapsulated and cannot be sprung
- 32 volts DC
- 30 amps per circuit, 6 circuits total
- 100 amps per block
- #8 screw mounting (M4)
- Accepts AGC or MDL fuses
- 10X30mm



GLASS



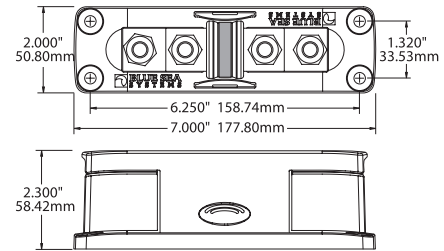
GLASS FUSE BLOCKS

Class T

- Accepts 3/8" (M10) ring terminals
- Insulating cover satisfies ABYC/USCG requirements
- UL 94-VO base resists high heat
- 16 volts DC
- 400 amps
- Up to 4/0 AWG wire size
- Accepts 3/8"-16 (M10) mounting studs
- Accepts Class T fuses available 225-400 amps



CLASS T



CLASS T FUSE BLOCK

Item Number	Description	Max Operating	Price
Glass			
*Includes negative bus using #10-32 stud			
5015 *	6CKT, 1/4" x 1", with ground		\$48.49
Class T			
5502	225-400A	320A	\$57.99

List pricing in catalog is subject to change without notice.

Marinco

ANL

- High interrupt ratings up to 6,000
- High capacity fusing with fast response
- Radiused ends improve cable routing options
- Surface mount or through-bulkhead mount holder
- Easy visual inspection of fuse state
- Compact footprint saves space
- Tinned CDA260 highly conductive brass for improved strength on integral studs, stainless steel nuts and washers for longevity in the marine environment

CLASS T

- High interrupt ratings up to 2,000
- Radiused ends improve cable routing options
- High capacity fusing with fast response
- Durable construction allows for running at a maximum load
- Easy visual inspection of fuse state

*fuses not included



778-ANL



778-ANL2



778-ANLTP



778-T2S-400



778-T2S-600

Item Number	Terminal Stud	Amps	Price
ANL			
50 volts DC Determined by fuse fitted			
778-ANL	5/16	35-300	\$33.85
778-ANL2S	3/8	35-750	\$68.78
778-ANLTP	3/8	35-500	\$82.10
Class T			
50 volts DC Determined by fuse fitted			
778-T2S-400	3/8	225-400	\$68.78
778-T2S-600	3/8	450-600	\$80.73

Fuse Blocks and Holders

BATTERY MOUNT

Blue Sea Systems

DUAL MRBF TERMINALS

- Compact, high-amp fuse—appropriate for DC Main, inverter, windlass, and bow thruster circuit protection
- Ignition protected when used with Blue Sea Systems' MRBF Terminal Fuse
- Isolated stud design uses standard M8 hardware and permits stacking of terminals
- Insulating cap prevents accidental shorts
- Accepts 5/16" ring terminals



2151B



5023



5024

ST BLADE TERMINAL

- Easy to install 4 ATO®/ATC® fused circuits
- Mounts on the battery terminal stud
- Nylon insulated ring terminals included for each screw terminal
- Ignition Protected—meets ISO 8846 and SAE J1171 for use in a gasoline engine compartment
- Insulating cover meets ABYC/USCG insulation requirements
- KIT INCLUDES: a 4-circuit negative busbar, write on labels, four 16-14 AWG and four 12-10 AWG Nylon insulated ring terminals

Item Number	Terminal Stud	Amps	Max Voltage	Price
DUAL MRBF Terminals				
2151B	3/8	300	58VDC	\$46.47
Item Number	Circuits	Amps	Max Voltage	Price
ST Blade Terminal				
5023	4	100 per block/30 per circuit	32VDC	\$26.79
5024		*5023 including kit extras		\$38.99

List pricing in catalog is subject to change without notice.